



VIDEO  
PRODUCTS  
INCORPORATED

1275 Danner Drive Aurora, Ohio 44202  
Tel: 330-562-2622 Fax: 330-562-1999  
www.vpi.us

# VOPEX-HD4K-2/4-LC

HDMI 1x2/1x4 Splitter

(3D Ultra HD 4Kx2K)

User Manual



Front and Rear View of VOPEX-HD4K-4-LC

**Introduction**

The VOPEX-HD4K-2/4-LC 4K HDMI splitter enables up to four HDMI displays to be driven by a single HDMI source. The same crystal clear image is displayed on multiple monitors simultaneously.

**Features:**

- Takes one 4K or HD HDMI Input Signal and splits the signal to as many as four 4K/HD monitors.
- Connect up to four HDMI displays to a single HDMI source such as a DVD player, game console, HD set-top box etc.
- Supports crystal clear resolutions to 4K 3840x2160 @30Hz.
- Plug and play functionality - no new software or drivers required.
- Eliminates the need to disconnect and then reconnect multiple HDMI sources.
- Compliant with HDMI 1.4 and HDCP 1.4 standards.
- HDMI features supported:
  - Bandwidth up to 340MHz (10.2 Gbps).
  - 3D.
- Ideal multiple display solution for home theaters, conferences, conventions, restaurants, schools, corporate training and presentations etc.

**Materials Supplied:**

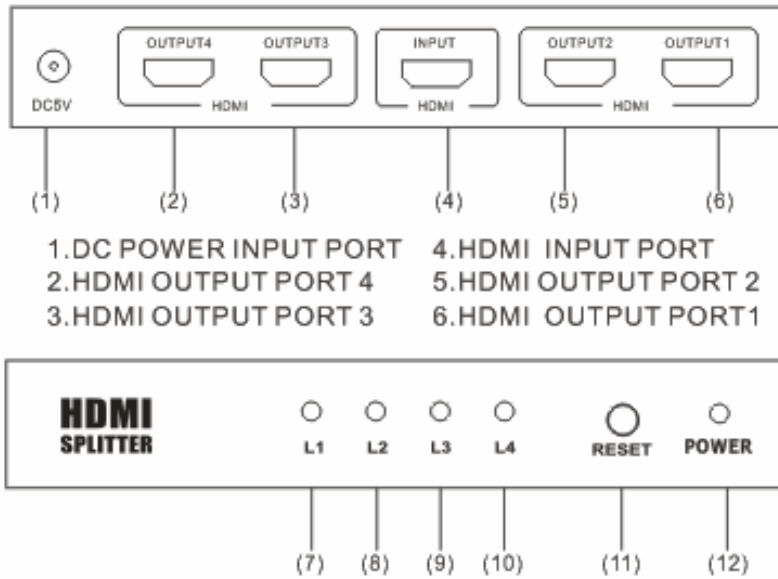
- HDMI 1x4/1x2 Splitter-----1 Pcs
- 100-240VAC@50/60Hz;5VDC 3A AC Adapter-----1 Pcs
- URL slip for User Manual-----1 Pcs

**Precautions**

To avoid electric shock, product damage and to protect your safety, please note the following:

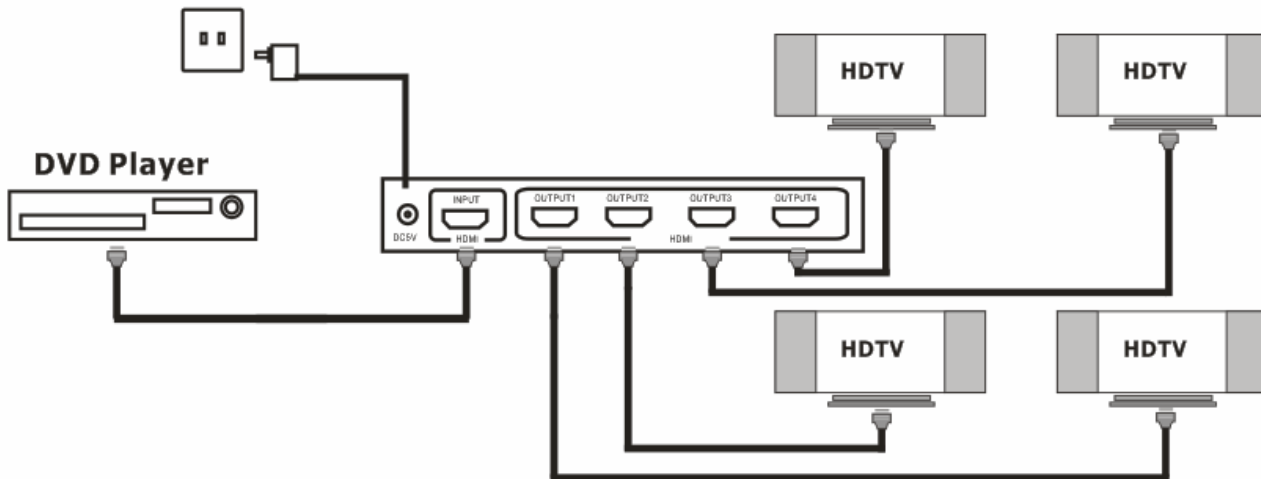
- 1.Please slowly plug or unplug signal cables and do not often plug or unplug them.
- 2.The equipment should not be located in the sun, rain or in a damp or unventilated environment.
- 3.Do not install the equipment near heat sources such as fire, power, or other sources that produce heat.

**Panel Introduction**



- 7.HDMI OUTPUT 1 INDICATOR 10.HDMI OUTPUT 4 INDICATOR  
 8.HDMI OUTPUT 2 INDICATOR 11.SIGNAL RESET PUSH BUTTON  
 9.HDMI OUTPUT 3 INDICATOR 12.POWER INDICATOR

**Connections**



**See the recommended NTI cables on page 4 to use with this product.**

1. Connect the HDMI cable between signal source and input port of the Splitter.
2. Connect the HDMI cable between output port of the Splitter and the display device(s).
3. Connect the supplied power adapter to the Splitter.
4. Power the signal source and the display device(s). The video from the source will be displayed on each display device.

**Note:** If different display devices are used, the EDID from the display connected to OUTPUT1 will be used by the signal source.

**Technical Specifications**

Criteria	1X4	1X2
HDMI Source Input Port	1	1
Display Device Output Port	4	2
Source Port Connector	19 Pin HDMI Female	
Display Device Port Connector	19 Pin HDMI Female	
HDCP Compliant	Version 1.4	
Max. Resolution	3840x2160@30Hz	4096x2160@30Hz
Input Video Signal	0.5-1.0 Volts P-P	
Input DDC Signal	5 Volts P-P(TTL)	
Deep Color	Up to 48 Bit (4K mode is 24 Bit Only)	
HDMI Version	HDMI1.4	
Video Bandwidth	Up to 10.2Gbps	
Power consumption (max.)	3.5 Watts	2.5 Watts
Operating Temperature	0 <sup>0</sup> – 70 <sup>0</sup> C (32 <sup>0</sup> - 158 <sup>0</sup> F)	
Power Supply	In: 100-240VAC, 50/60Hz; Out: 5VDC, 3A	
Net Weight	0.21kg	0.12kg
Dimensions WxDxH (In.)	5.53x2.5x0.79 (140.5x63.7x20mm)	3.94x1.89x0.96 (100x48x24.5mm)
Certifications	CE,FCC,RoHS	

**Available NTI HDMI Cables for Input and Output cables**

**VOPEX-HD4K-4-LC**

Available Cables	Supported Resolution	
	1080p@60Hz	3840x2160@30Hz Only
HD-xx-MM Where x=3,6,10,15, 20,30 and 50 ft	Yes	Max. 20 ft
HD-ACT-xx-MM Where xx= 20,25,30,40 and 50 ft	Yes	Yes
HD-ACT-xx-MM Where xx= 60,75 and 100 ft	Yes	No
HD4K18GB-FO-xxM-MM Where xx= 10,15,20,25,30,50,70 and 100 meters	Yes	Yes
DVI-HD-xM-MM Where x= 1,2,3 and 5 meters	Yes	No

**VOPEX-HD4K-2-LC**

Available Cables	Supported Resolution	
	1080p@60Hz	4096x2160 and 3840x2160@30Hz
HD-xx-MM Where x=3,6,10,15,20, 30 and 50 ft	Yes	Max. 20 ft
HD-ACT-xx-MM Where xx= 20,25,30,40 and 50 ft	Yes	Yes
HD-ACT-xx-MM Where xx= 60,75 and 100 ft	Yes	No
HD4K18GB-FO-xxM-MM Where xx=10,15,20,25,30,50,70 and 100 meters	Yes	Yes
DVI-HD-xM-MM Where x= 1,2,3 and 5 meters	Yes	No

**Warranty Information**

The warranty period on this product (parts and labor) is one (1) year from the date of purchase. Please contact Video Products Inc at **(800) 626-7801** or **(330) 562-2622** or visit our website at <http://www.vpi.us> for information regarding repairs and/or returns. A return authorization number is required for all repairs/returns.