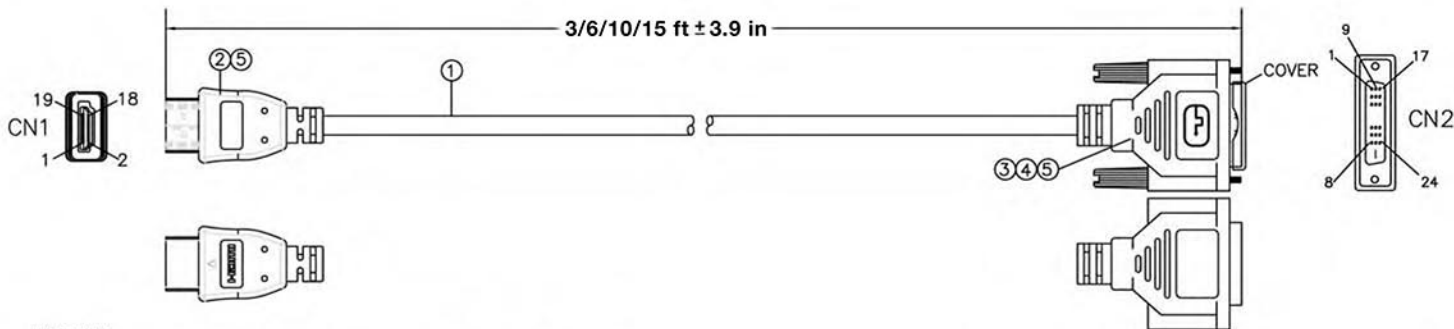


Part #: DVI-HD-xx-MM



MATERIALS:

1,CABLE:UL20379 (7/0.102BA*1PR+EAM)*4+7/0.102TA*1PR+7/0.102TA*5C
+AB 90% OD: .20 in COLOR:BLACK(P001)) (W950823025)

2,CONNECTOR:HDMI MALE BLACK INSULATION GOLD PLATED SHELL IDC TYPE

3,CONNECTOR: DVI 18+1 M INSULATION BLACK
FRONT SHELL GOLD ,BACK SHELL NICKEL

4,SCREW: WX-ÆE4 1.12 in #4-40UNC BLACK

5,PVC:V398 BLACK 45P

ELECTRIC TEST:

A.OPEN/SHORT/INTERMITTENCE: 100%.

B.HI-POT: 300V AC/sec

C.INSULATION RESISTANCE: 20M OHM (MIN)

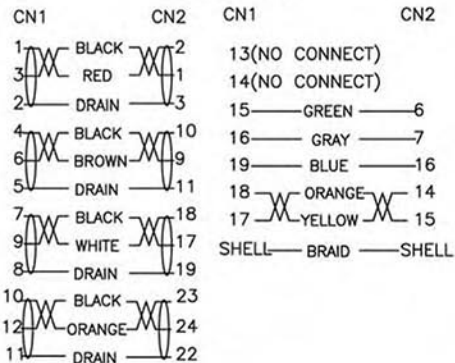
D.CONDUCTIVE RESISTANCE: 2 OHM (MAX)

MARKING:

UL AWM E101344-C STYLE 20379 VW-1 80°C 30V

LOW VOLTAGE COMPUTER CABLE Video Products Inc WWW.VPI.US

CONNECTION



VPI VIDEO PRODUCTS INCORPORATED

1275 Danner Drive Aurora, Ohio 44202

Tel: 1-800-626-7801 Fax: 330-562-1999

www.vpi.us

sales@vpi.us